

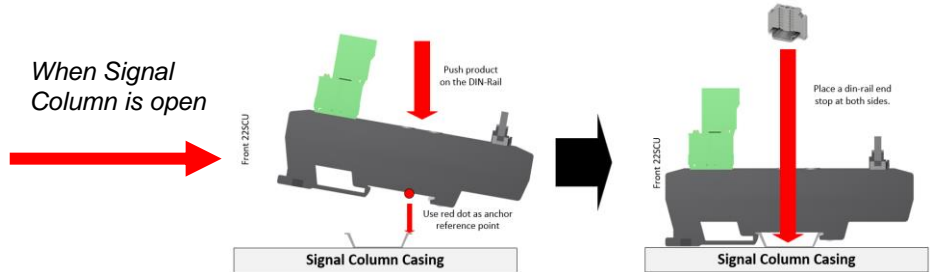
Quick-Starters Guide Control Unit (22-SCU)

We thank you for selecting an Marpower Signal Column product.

This document illustrates the standard configuration of the Control Unit, including local inputs.

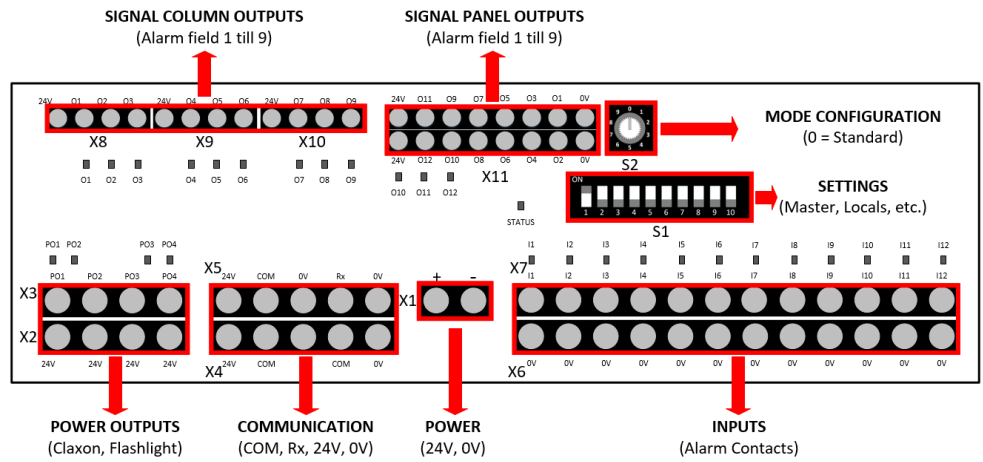
Necessary preparations:

- Signal Column is opened
- Flat Screwdriver
- Wires and cables
- External hardware
- Safe work environment present



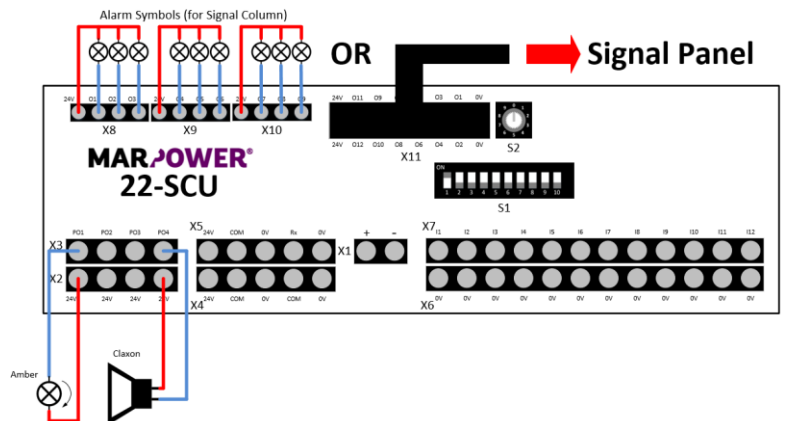
Overview Control Unit:

- X1: Power
 - 24V, 10 A fused
- X2 – X3: Power Outputs
 - PO1 – PO2: Flashlight
 - PO4: Claxon
- X4 – X5: Communication
 - Connect Slaves: COM + 0V
- X6 – X7: Inputs
 - NO potential free contacts
- X8 – X10: Outputs
 - 3 alarm fields per terminal
- X11: Outputs
 - Signal Panel connection
- Indication LED's



Internal connections:

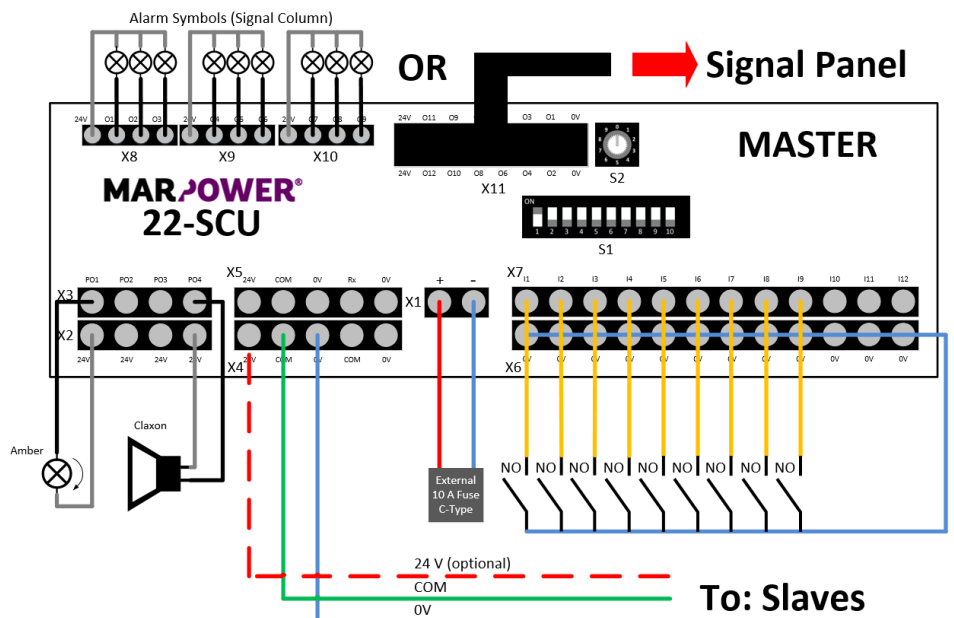
- X2: +24V : wires
 - Contacts 1 – 4 are all 24V
- X3: 0V: wires
 - PO1 – PO2 : Flashlight
 - PO4 : Claxon
- X8: Alarm field 1 – 3 : cable
 - Controlled by 11 – 13
- X9: Alarm field 4 – 6: cable
 - Controlled by 14 – 16
- X10: Alarm field 7 – 9: cable
 - Controlled by 17 – 19



External connections (Master):

- X1: Power supply: wires
 - +24V input (10 A fused)
 - 0V input
- X4: Communication : wires
 - COM to COM slave
 - 0V to 0V of slave
 - 24V to 24V
- X5: Communication: wires
 - COM to COM slave
 - Rx is for sub-master
 - 0V to 0V of slave
 - 24V to 24V
- X7: Input Alarm contacts : wires
 - Alarm field 1 – 9 control
- X8: Input Alarm contacts : wires
 - Contacts 1 – 12 are 0V

Note! Slave is identical, except no alarm contacts needed!



Configure settings:

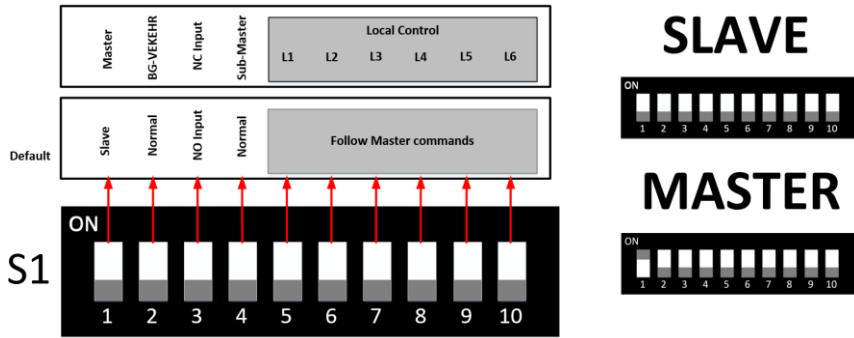
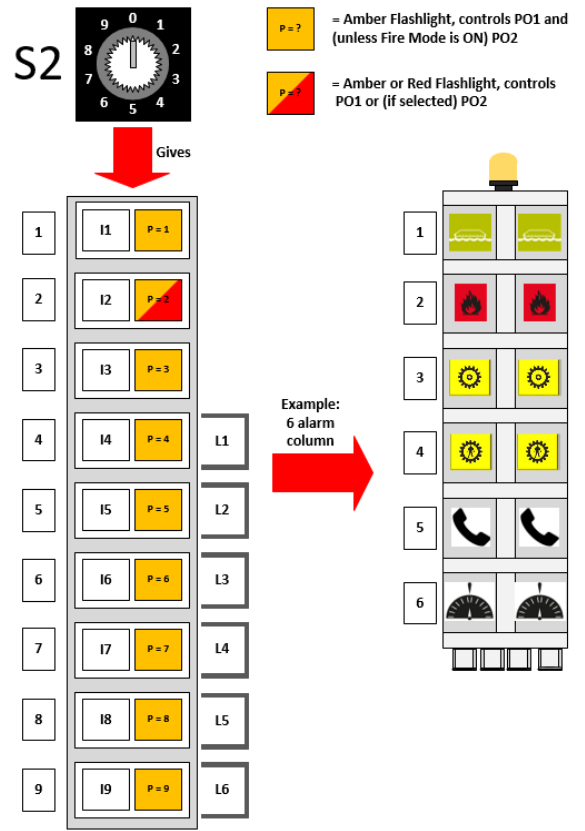
- S1: Dipswitch : switches
 - Switch 1 ON = Master
 - Switch 1 OFF = Slave
- S2: Rotary switch : Stances
 - Stance 0 = Normal

Figure displays standard settings. Select 1 Control Unit as Master.

Note! P = 1 is highest priority alarm, P = 2 is second priority alarm, etc.

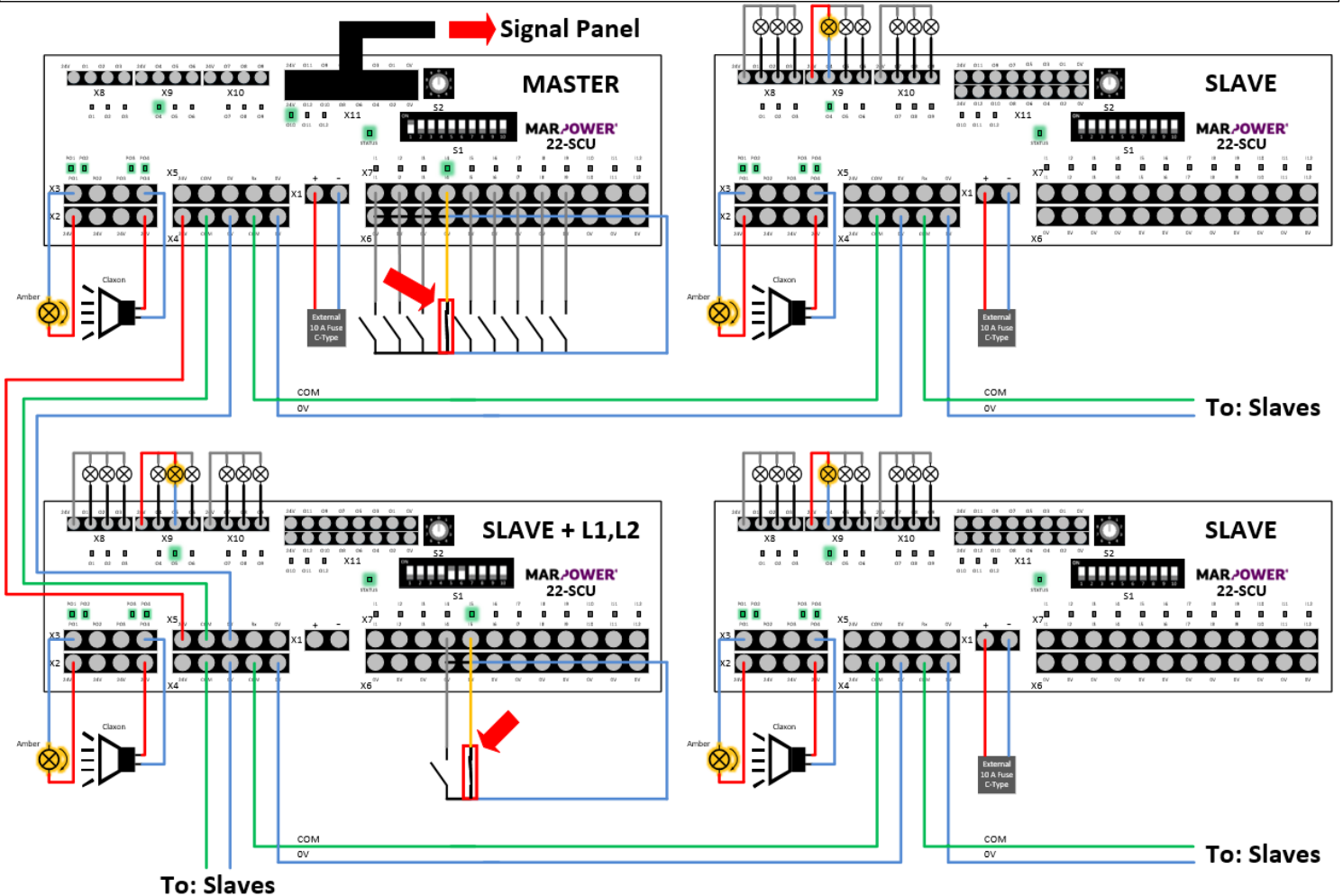
Note! The highest priority alarm control the claxon.

Note! Local setting(s) will ignore appointed master alarm(s) and await the alarm signal on the specified input.



Operation of the Control Unit:

The COM network consists of 1 Master unit and multiple slave devices. Once an alarm triggers (14 switches to closed), the Master unit will transmit the alarm data towards its connected slave devices. The slaves receive 14 information and switch with master O4, PO1, PO2 and PO4, unless locals are enabled. An example of this operation is shown below:



Additional Notes during Commissioning

- The LED O10 lights up when a Control Unit is set as a Master
- The status LED must be ON, blinking indicates a warning/fault. Refer to the manual for more information.
- The slave unit will indicate a loop-light (O1 – O9 will blink) when it lost its communication with the master.

More information of the Control Unit can be found in the; "Signal Column System" Manual